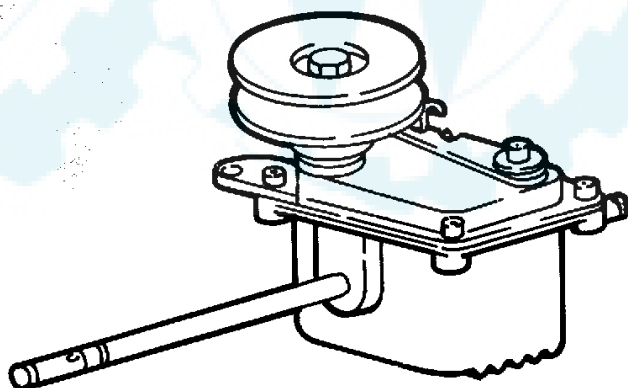




Rasaerba • Tondeuses • Lawn Mowers  
Rasenmäher • Cortacesped

**RICAMBI  
RECHANGES  
SPARE PARTS  
ERSATZTEILE  
RECAMBIOS**



**RIDUTTORE A FRIZIONE**  
mod. 853 CVS  
mod. ERMA 530T4SP  
mod. 943 CVS  
mod. CLIP 46/A DRIVE  
mod. ERMA 46 T4SP ALU

**RIDUTTORE A FRIZIONE - mod. 853 CVS - ERMA 530 T4SP - 943 CVS - CLIP 46/A DRIVE - ERMA 46T4S ALU**

N.ord. - N. pieces part. N. - bestell N.	RICAMBI SPARE PARTS	RECHANGES ERSATZTEILE	RECAMBIOS	Q	
31 10 1260 00	rondella washer	rondelle Scheibe	arandela	1	Ø 6/18/2:
32 10 7623 00	puleggia pulley	poulie Riemenscheibe	polea	1	

**mod. 853 CVS / ERMA 530T4SP**

1B 09 7659 00	riduttore completo reducer kit	reducteur complete Getriebe	reductor completo	1	
27 20 7652 00	albero shaft	arbre Welle	àrbol	1	
36 10 6013 00	supporto support	support Halter	soporte	1	

**mod. 943 CVS**

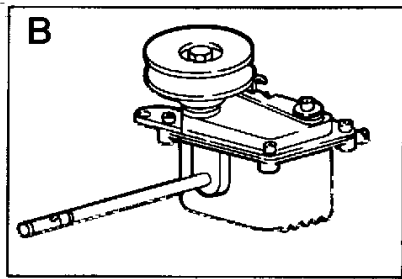
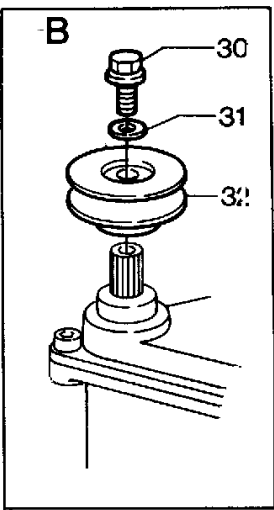
2B 09 7657 00	riduttore completo reducer kit	reducteur complete Getriebe	reductor completo	1	
27 20 7653 00	albero shaft	arbre Welle	àrbol	1	
35 10 8020 00	supporto support	support Halter	soporte	1	

**mod. CLIP 46/A DRIVE - ERMA 46T4S ALU**

3B 09 2958 00	riduttore completo reducer kit	reducteur complete Getriebe	reductor completo	1	
27 20 7628 00	albero shaft	arbre Welle	àrbol	1	
34 10 2937 00	supporto support	support Halter	soporte	1	

**RIDUTTORE A FRIZIONE - mod. 853 CVS - ERMA 530 T4SP - 943 CVS - CLIP 46/A DRIVE - ERMA 46T4S ALU**

N.ord. - N. pieces part. N. - bestell N.	RICAMBI SPARE PARTS	RECHANGES ERSATZTEILE	RECAMBIOS	Q	
1 20 7610 00	vite screw	vis Schraube	tornillo	3	TCEI M5X18
2 20 7640 00	coperchio cover	couvercle Deckel	tapa	1	
3 20 7645 00	guarnizione gasket	garniture Dichtung	guarnición	1	
4 20 4403 00	anello di tenuta gas ring	bague d'étanchéité Dichtungsring	anillo de retén	3	Ø 12/19/5
5 20 4411 00	cuscinetto ball bearing	roulement Kugellager	cojinete	1	6001 Ø 12/28/8
6 20 7608 00	vite senza fine destra right worm screw	vis sans fin droit Rechts Schnecke	tornillo sin fin derecho	1	
7 20 7613 00	rondella washer	rondelle Scheibe	arandela	1	Ø 12
8 20 7639 00	scatola reductiongear box	boiter Getriebegehäuse	caja	1	
10 20 7643 00	ingranaggio destro right crown gear	engrenage droit Rechts Zahnrad	engranaje derecho	1	RIDUTTORI 1B-2B-3B
11 20 7615 00	spina pin	pivot Stift	espiga	2	Ø 4x8
12 20 7605 00	campana frizione clutch bell	cloch d'embrayage Kupplungs-Glocke	tapa fricción	1	
13 20 2866 33	anello tenuta gas ring	bague d'etancheite Dichtungsring	anillo de retén	1	OR 108
14 20 7607 00	leva lever	levier Hebel	palanca	1	
15 20 7627 00	spina elastica resilient pin	goupille expansible Spannhülse	espiga de resorte	1	Ø 3,5x20
16 20 7618 00	piastra platte	plaque Platte	placa	1	
18 20 7630 00	cuscinetto con ralla ball bearing	roulement Kugellager	cojinete	1	Ø 20/35
19 20 7625 00	giunto joint	joint Kupplung	acoplamiento	1	
20 20 7617 00	frizione clutch	embrayage Kupplung	fricción	1	
22 20 7620 00	leva lever	levier Hebel	palanca	1	
23 20 7619 00	rondella washer	rondelle Scheibe	arandela	1	Ø 4/16/1
24 20 7616 00	vite screw	vis Schraube	tornillo	1	UNI 5737 TE M4x10
24 20 7616 00	vite screw	vis Schraube	tornillo	1	UNI 5737 TE M4x10
25 20 7611 00	vite screw	vis Schraube	tornillo	1	TCEI M5x20
26 20 7624 00	cuscinetto con ralla ball bearing	roulement Kugellager	cojinete	1	Ø 12/26
28 20 7636 00	guarnizione gasket	garniture Dichtung	guarnición	1	
29 20 7637 00	tappo plug	bouchon Kappe	tapòn	1	
30 20 6505 07	vite screw	vis Schraube	tornillo	1	TEFR M6X16



1B ● 853 CV5  
 2B ● 943 CV5  
 3B ● ERMA 46 T4S ALU

